

16V
4013F

Mercedes Sprinter, Md.2018 (910)

EU-pedestrian protection bar 60 mm with cross pipe 42 mm

EU-Personenschutzbügel 60 mm mit integriertem Querrohr 42 mm

Protection avant, homologuée CEE, 60 mm, traverse 42 mm



ASSEMBLY INSTRUCTION

Montageanleitung • Instructions de montage



45 Minuten

article no.:

16V4013F (S) inox

16V5013F black steel

Revision 1: 07.11.2018



www.antec-online.de

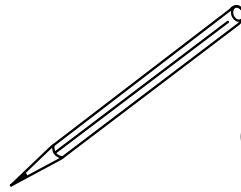
M8 (A2):
21,4 Nm
M8:
25 Nm
M12:
87 Nm



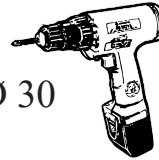
13
19



6



Ø 30



1

16V4013.1F / 16V5013.1F



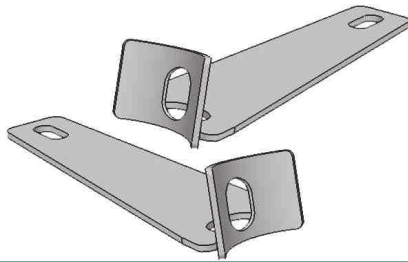
1x

mounting kit: 16V9013F

	M8x25; DIN 912 A2	2x
	M8x50; DIN 912 A2	2x
	M8x40; DIN 933 Zn	2x
	M8; DIN 985 Zn	2x
	Ø 8,4; DIN 125 A2	2x
	SW 13	4x

2

16V5044_R / 16V5045_L



2x

7

005497



Ø9

4x

8

005498

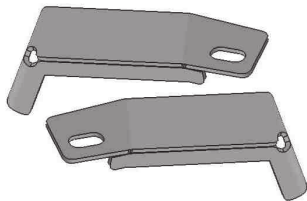


Ø9 A2

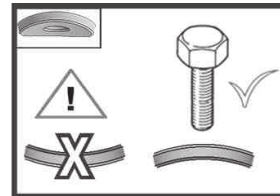
2x

3

16V5046_R / 16V5047_L



2x



4

10W5037



Ø 10

2x

5

16V5428

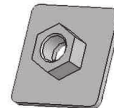


Ø 20

2x

6

12E5224



2x



article no.:

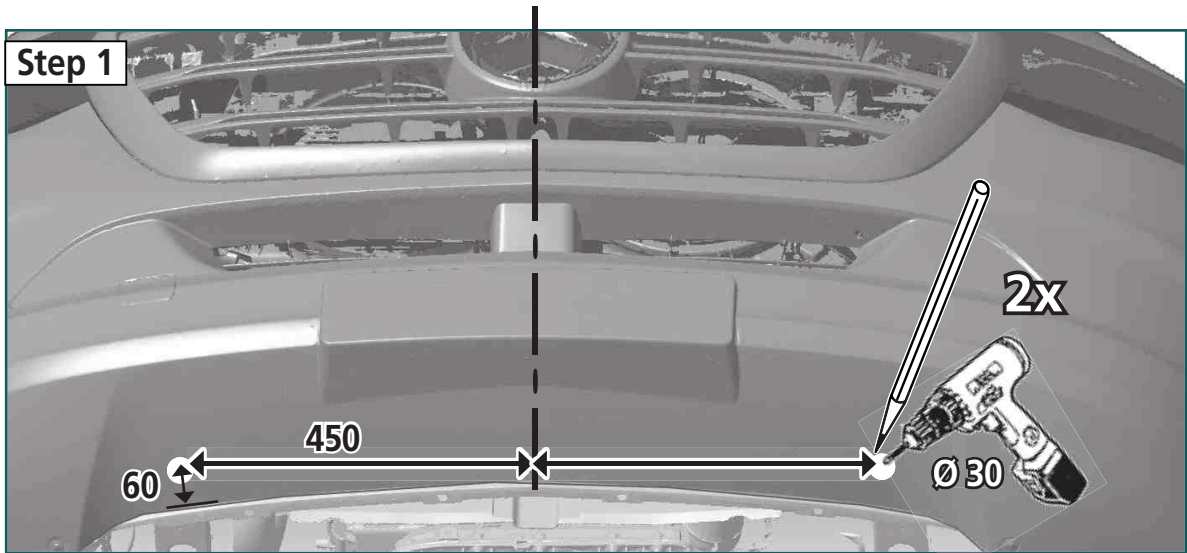
16V4013F (S) inox

16V5013F black steel

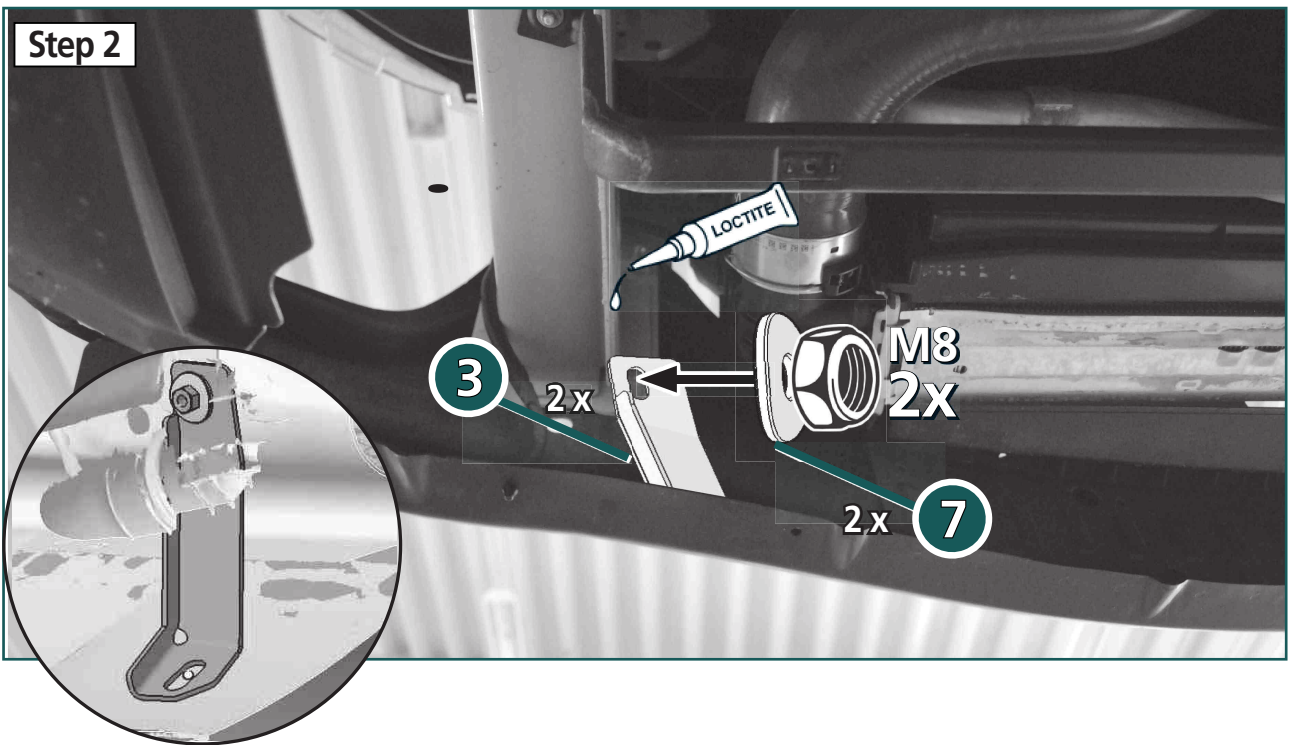
Revision 1: 07.11.2018



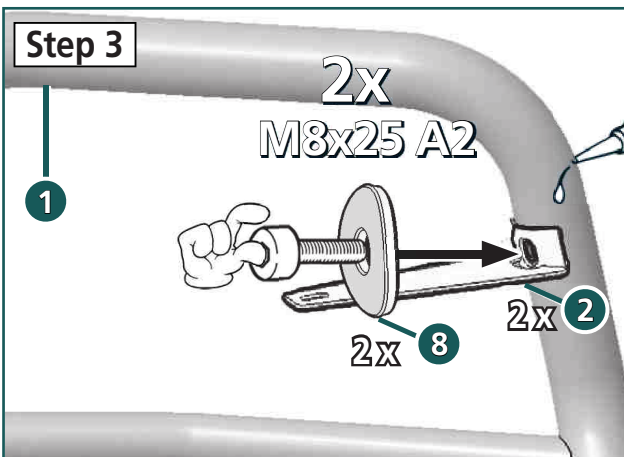
Step 1



Step 2



Step 3



Step 4

